







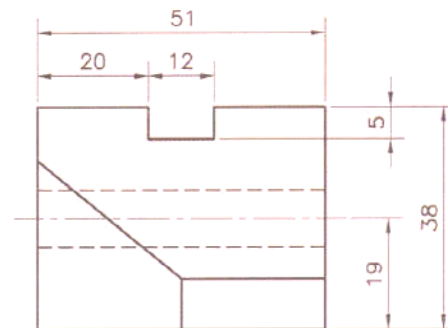
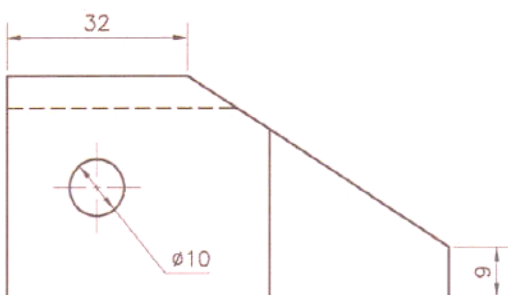
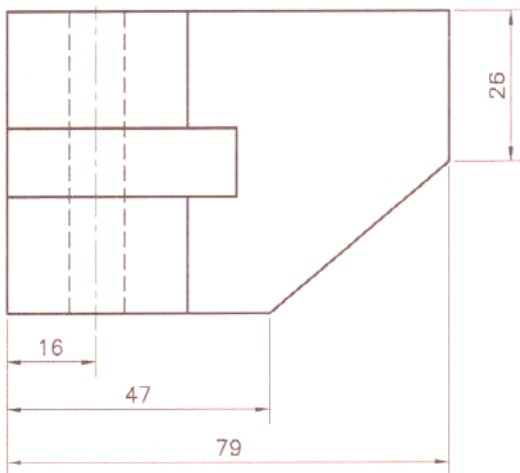
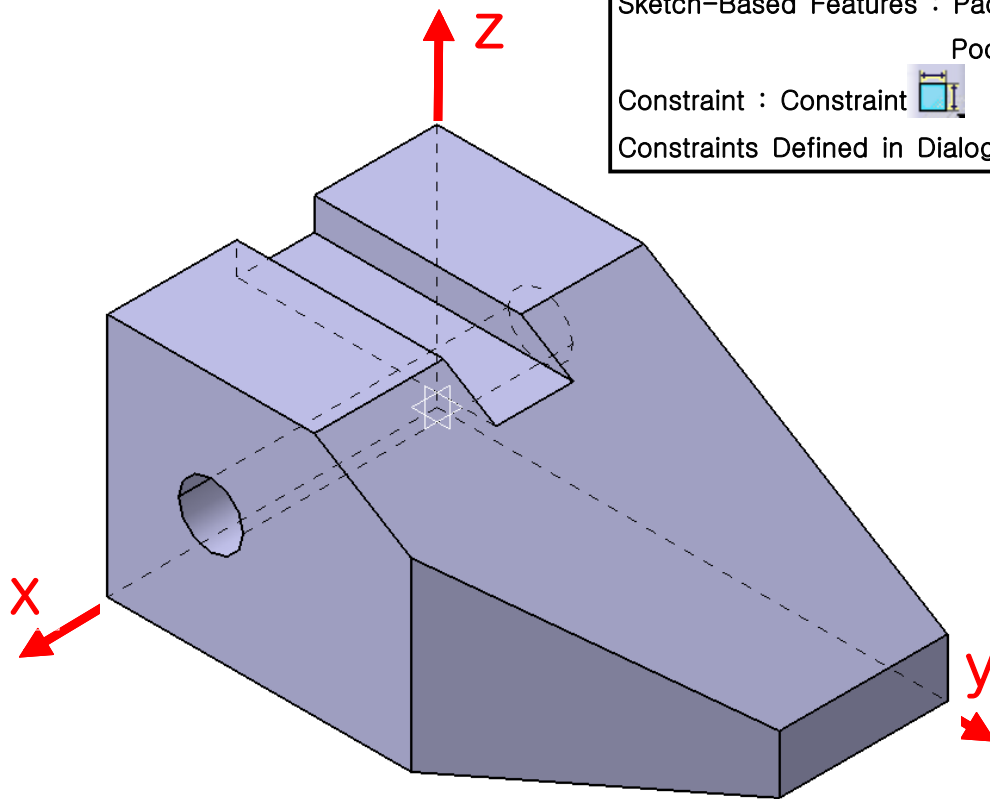
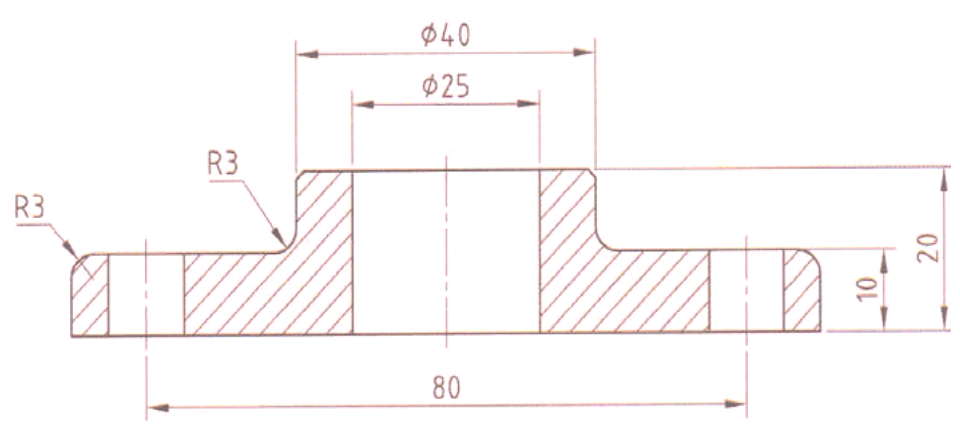
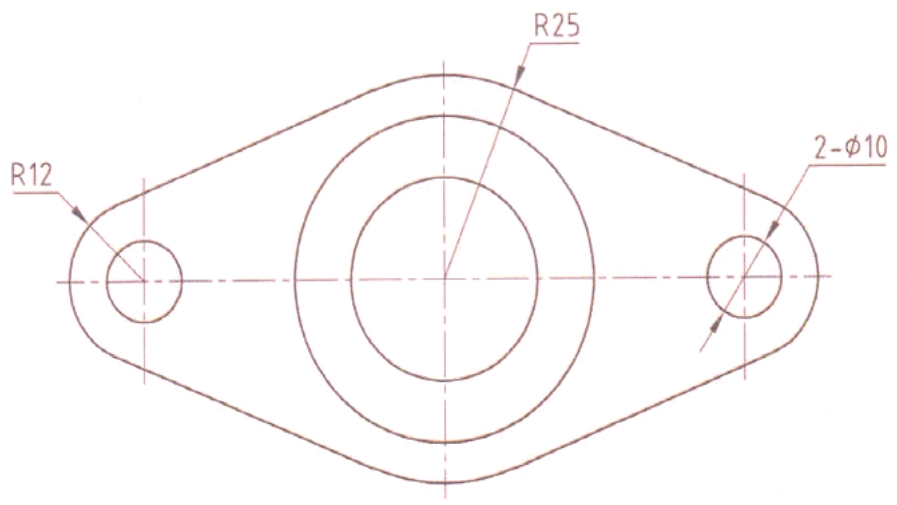
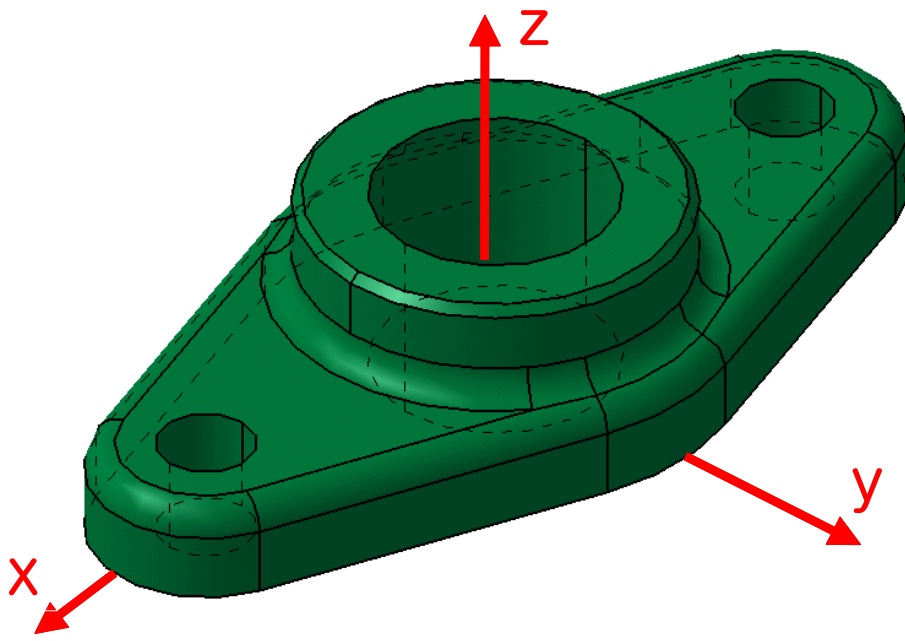


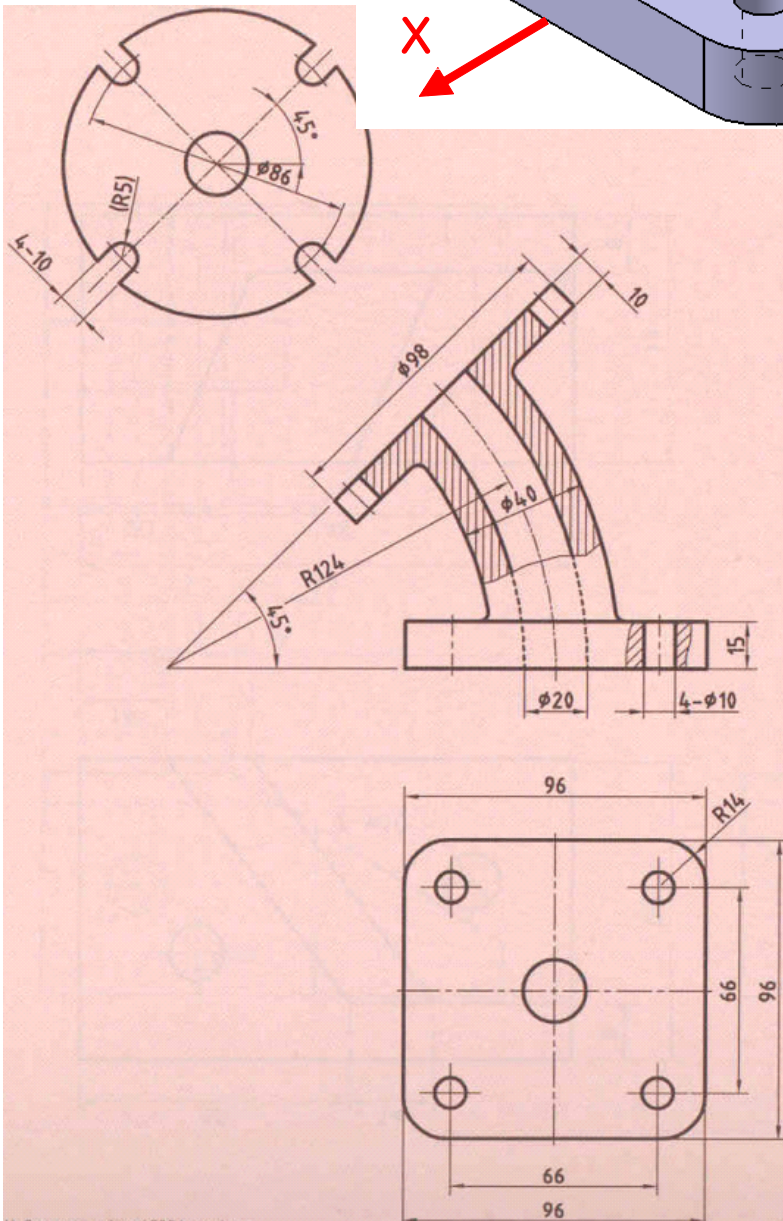
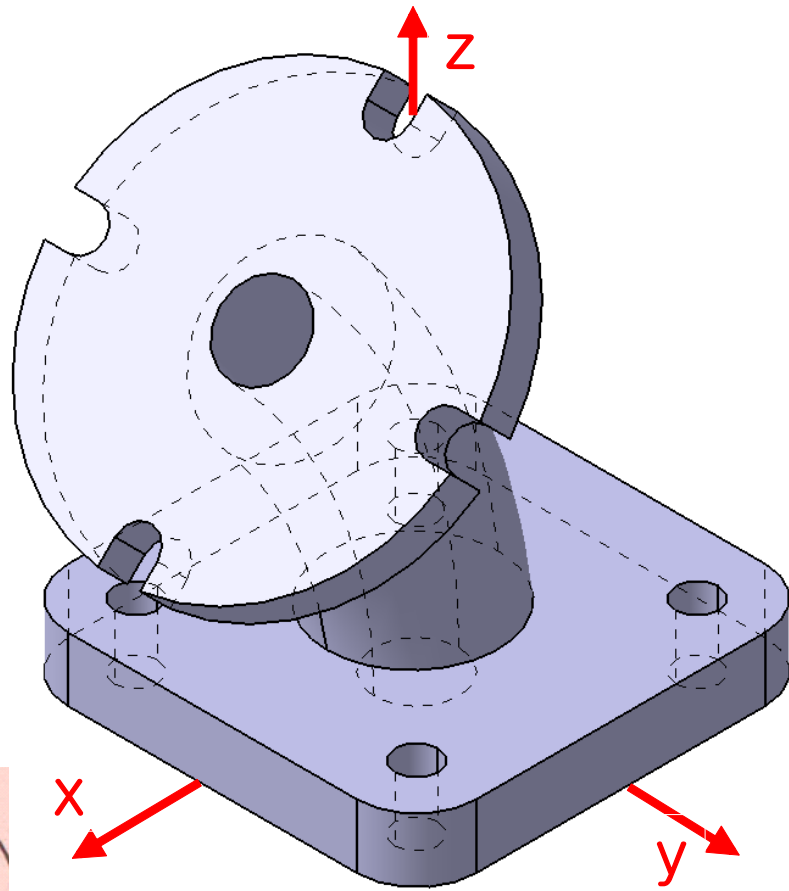
과제 #1 : Block 02

Profile : Rectangle , Circle 
Profile , Line 
Sketch-Based Features : Pad 
Pocket 
Constraint : Constraint 
Constraints Defined in Dialog Box 





과제 #4 : Block A010




과제 #6 : Block 03

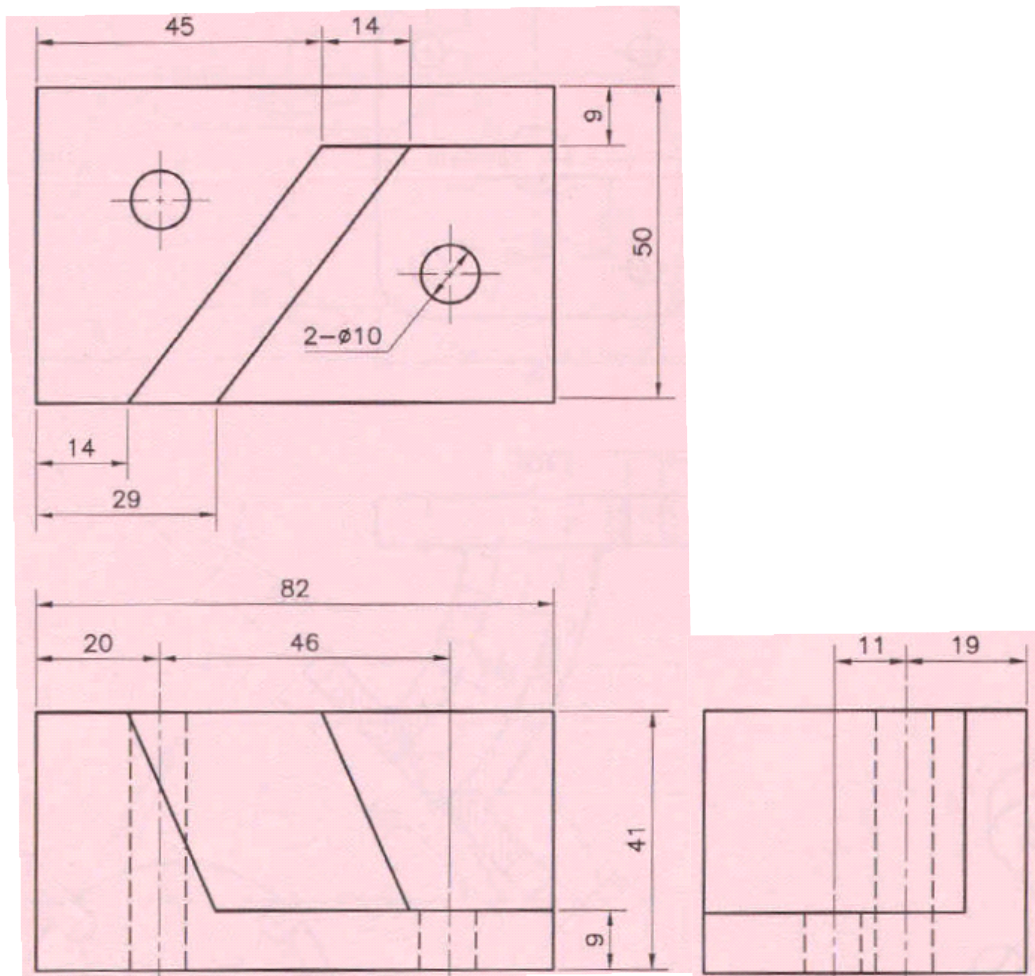
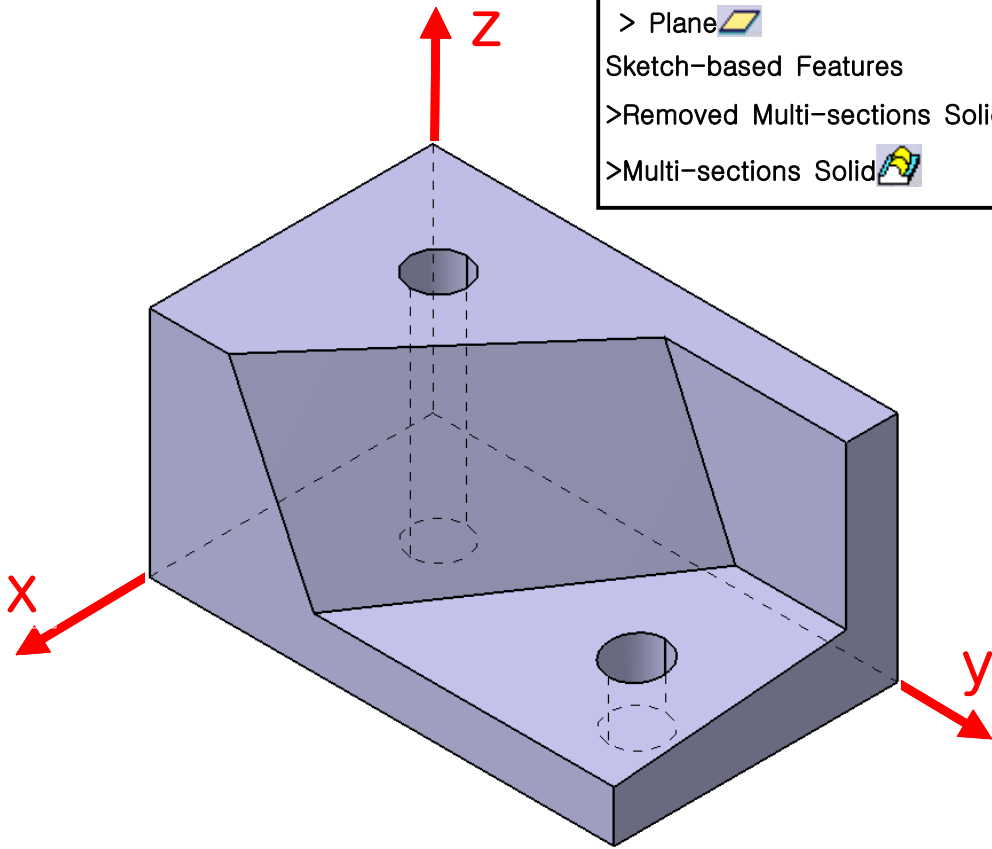
Reference Elements(Extended)

> Plane 

Sketch-based Features

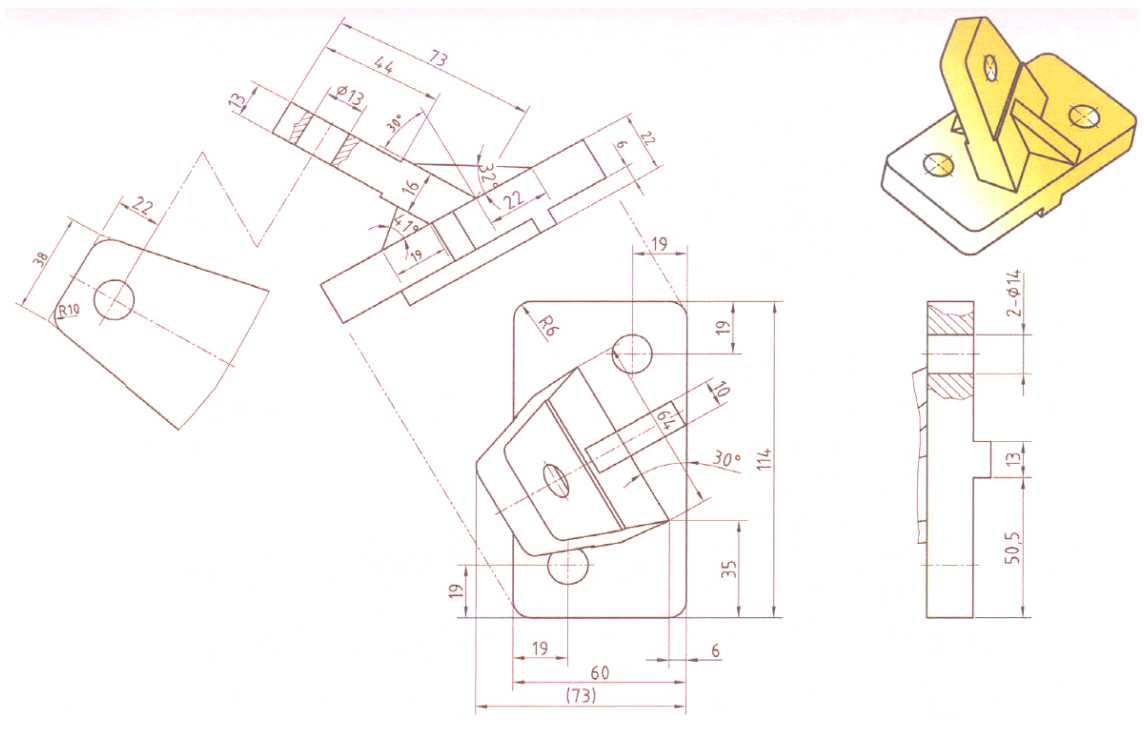
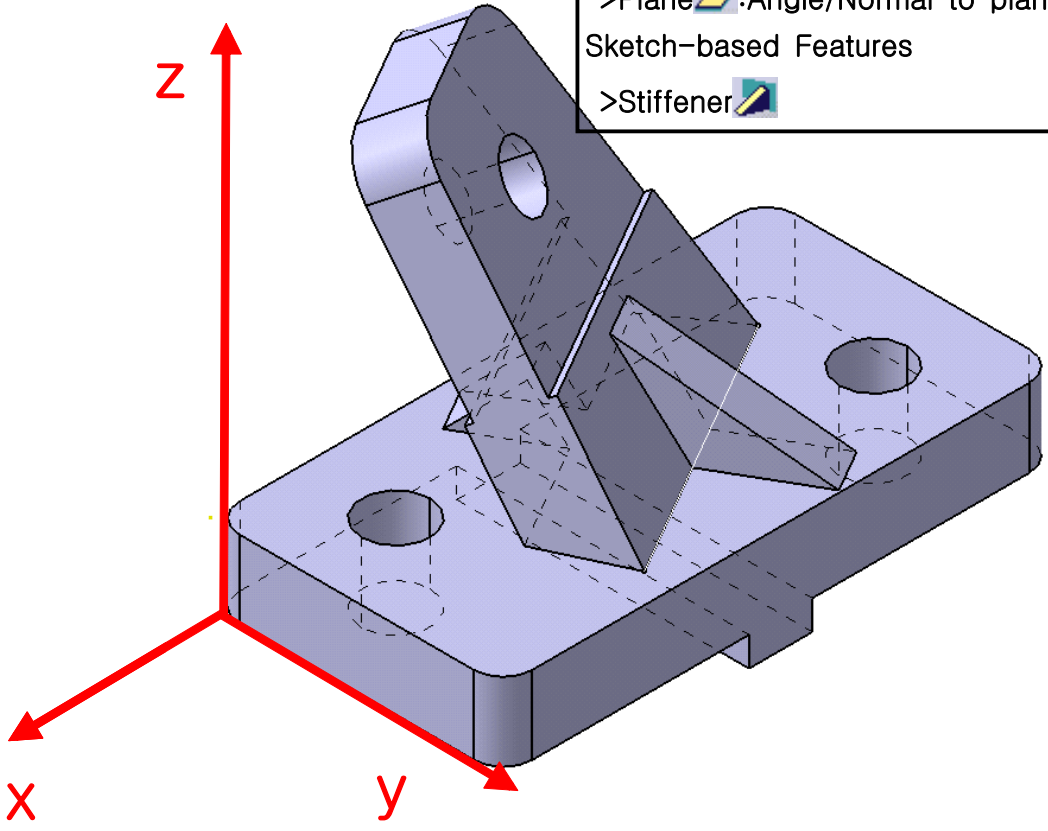
>Removed Multi-sections Solid 

>Multi-sections Solid 



과제 #6 : Block A005

Reference Elements(Extended)
>Plane :Angle/Normal to plane
Sketch-based Features
>Stiffener 



과제 #6 : Block A003

Dress-Up Features > Draft Angle 
> Shell  , Thickness 
Sketch-Based Features > Rib 
GSD > Surfaces > Sweep 
Surface-Based Features > Split 

